

## The solution on steel girder

With the soft fixing technique, **GANTRY**, ISO 9001 certified, is your ideal partner for the design, supply and installation of rail tracks laid on steel girder.

### Criteria

The engineers of **GANTRY**'s Technical Department select the optimum interface between steel girder and the wheels of the travelling machinery.

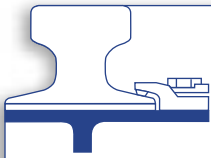
#### Main criteria

- size of the supporting girder;
- fixing mode to the support : weldable or boltable clips;
- dimensions of the machine;
- vertical and side loads of the wheels;
- speed of travel;
- wheel diameter;
- quantity of wheels;
- duty cycle and drive group;
- installation conditions;
- operating circumstances;

#### Specific criteria

- presence of any rail brake device;
- storm brake and uplift forces;
- seismic loads;
- presence of side guiding wheels;
- ...





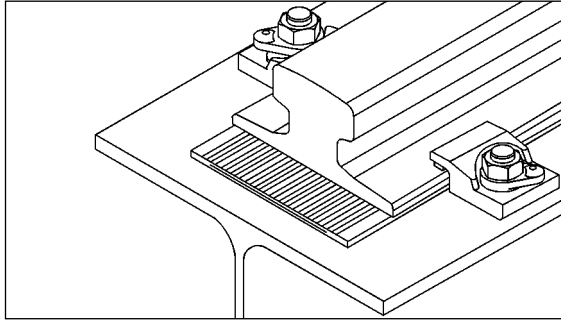
# MOUNTING ON STEEL GIRDER

## Recommendations and solution choice

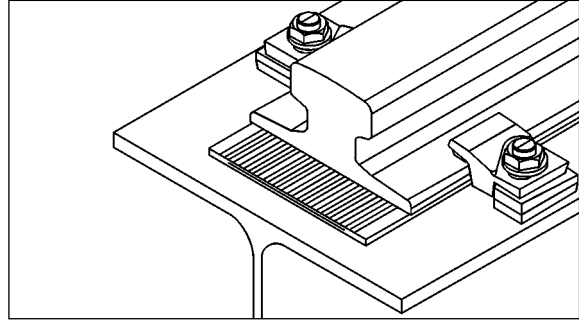
All GANTREX® clips types can be used. The choice between weldable or boltable clips will depend on :

- the accessibility;
- the possibilities of preparing the work prior to delivery to site;
- the local applicable norms;
- the local custom and practice.

### Mounting with boltable clips



### Mounting with weldable clips



THE PRODUCTS	THE SERVICES
<ul style="list-style-type: none"> <li>• GANTREX® MK6 continuous pad laid under the rail;</li> <li>• GANTREX® clips for the rail fixing;</li> <li>• rail;</li> <li>• rail welding kits;</li> <li>• GANTREX® safety barriers.</li> </ul>	<ul style="list-style-type: none"> <li>• diagnosis of the existing track;</li> <li>• design (new track or repair works);</li> <li>• complete track installation;</li> <li>• coordination with the customer's technical department;</li> <li>• rail welding;</li> <li>• training of local installation teams;</li> <li>• supervision of installation;</li> <li>• inspection and maintenance of tracks;</li> <li>• safety at height.</li> </ul>

*We reserve the right to discontinue or change specifications or design at any time without prior notice and without incurring any obligation whatsoever.*

## GANTRY MIDDLE EAST Ltd

P.O.B. 1022 - Fujairah - U.A.E. • Tel. +971(0)9 222 89 00 • Fax +971(0)9 222 89 01

E-mail : gantry@me.gantry.com - <http://www.gantry.com>

Member of the  
**GANTRY**  
Group

