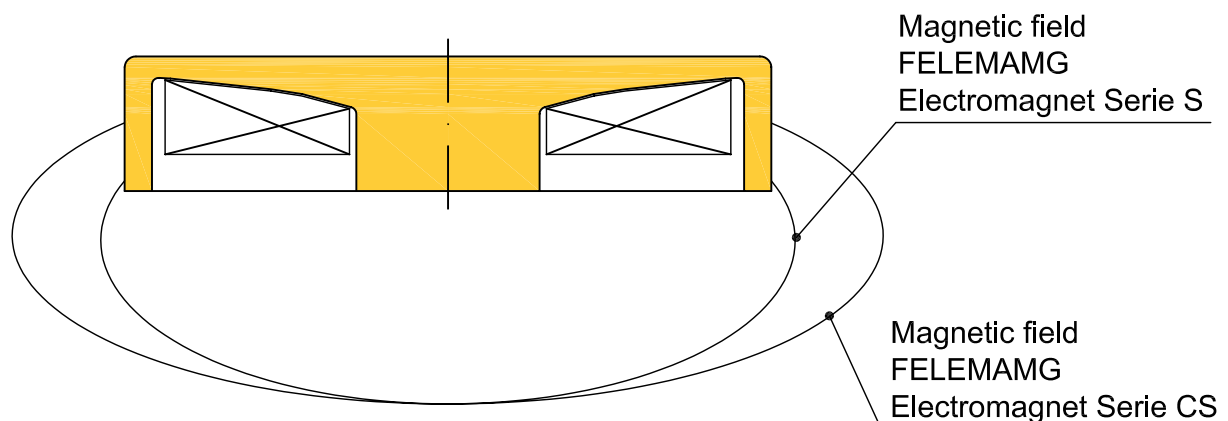


ELECTROMAGNETS CONICAL COIL SERIE "CS"

APLICATIONS

FELEMAMG uses its patent of conical coil to offer robust electromagnets suitable for any scrap handling demand from the scrap yard to the heavy steel works service.

The special shape of coils allows to keep the same lifting capacities that our "S" series and with the same weight and power, FELEMAMG offers a great increasing of lifting capacity with light scraps (most of total scrap).

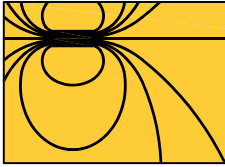


GENERAL DESIGN FEATURES

- Robust construction.
- 75% Duty cycle.
- Optimum performance / weight ratio.
- Aluminum or copper wound coils according to capacity demands.
- Designed for all steel works from light scraps to slabs, pig iron, cracker ball, ...

CONSTRUCTION SPECIFICATIONS

- Welded steel housing.
- Double bottom plate construction standard, one inner stainless steel waterproof plate and one outer manganese steel plate with a great section and mechanical resistance.
- Heavy duty terminal box divided into two individual compartments
- "H" class insulating materials.
- Three - strand alloy steel chain suspension with common master link.



FELEMAMG

m a g n e t i s m

Electroimag. Type	Dimensions (mm)				
	Da	A	B	C	D
FC-80	800	1.020	267	133	285
FC-100	1.000	1.060	267	133	325
FC-120	1.200	1.280	267	133	360
FC-130	1.300	1.310	267	133	395
FC-140	1.400	1.400	305	152	415
FC-150	1.500	1.490	305	152	435
FC-175	1.750	1.630	356	178	460
FC-200	2.000	1.810	356	178	515
FC-215	2.150	1.970	406	203	565



Electromagnet Type	Diameter (mm)	Approx weight (Kg)	Power at 0° C (W)	Lifting capacities					
				Slab (Kg)	Pig iron (Kg)	Scrap Type 3a (Kg)	Scrap Type 24 (Kg)	Scrap Type 40 (Kg)	Cracker ball (Kg)
FC-80-CS	800	500	4.100	6.100	370	310	300	150	3.000
FC-80-CSC	800	670	4.500	6.600	410	390	380	190	3.500
FC-100-CS	1.000	880	6.400	10.100	530	500	470	240	4.000
FC-100-CSC	1.000	1.080	6.700	10.700	570	550	530	310	5.000
FC-120-CS	1.200	1.690	8.800	15.400	990	890	850	420	6.000
FC-120-CSC	1.200	2.030	9.100	16.100	1.070	960	940	550	7.500
FC-130-CS	1.300	1.900	10.700	17.600	1.180	1.040	1.020	505	7.000
FC-130-CSC	1.300	2.400	11.000	18.600	1.310	1.190	1.160	630	8.000
FC-140-CS	1.400	2.250	12.400	21.000	1.360	1.220	1.190	605	8.000
FC-140-CSC	1.400	3.000	12.600	22.000	1.570	1.380	1.350	720	9.500
FC-150-CS	1.500	2.600	13.500	25.100	1.580	1.405	1.360	710	9.000
FC-150-CSC	1.500	3.500	13.900	26.200	1.790	1.590	1.540	870	11.000
FC-175-CS	1.750	3.900	18.200	34.500	2.090	1.890	1.810	880	12.000
FC-175-CSC	1.750	5.050	18.700	36.000	2.260	2.020	1.930	1.010	14.000
FC-200-CS	2.000	5.900	25.000	42.100	3.270	2.990	2.910	1.320	15.000
FC-200-CSC	2.000	7.600	26.000	43.800	3.420	3.310	3.220	1.390	18.000
FC-215-CS	2.150	6.800	30.000	56.100	4.170	3.720	3.620	1.420	18.000
FC-215-CSC	2.150	8.300	32.000	58.400	4.360	4.040	3.930	1.580	21.000

- Specifications subject to change without prior notice.
- Scraps types 3a, 24 and 40 are based on the scrap dealers Federal Association specifications Düsseldorf.
- Lifting capacities shown above are the result obtained from test after 5 working hours, 50% rated duty cycle under VDE 0580 standards.