

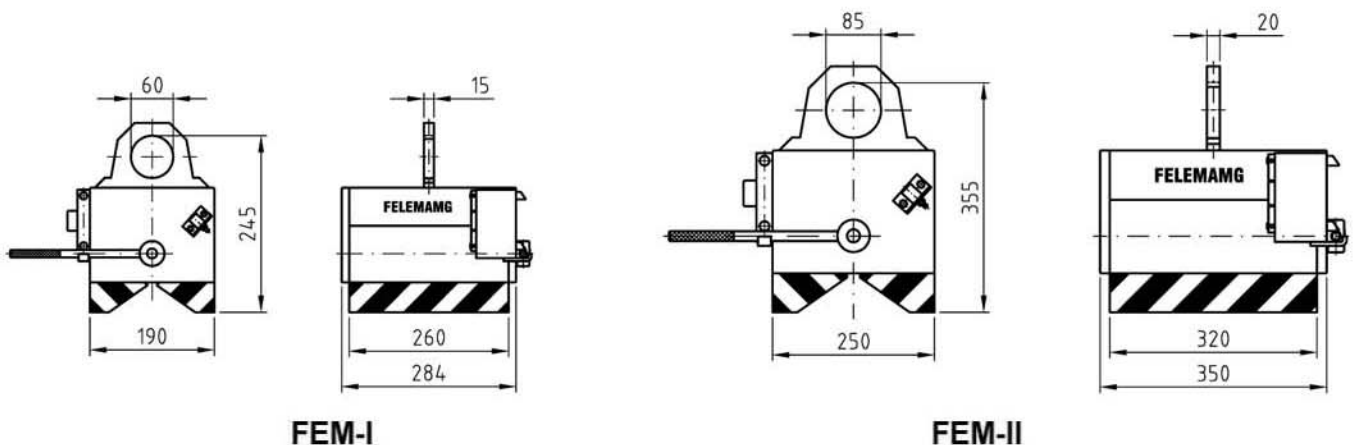
# FELEMAMG

## PERMANENT LIFTING MAGNETS FEM TYPE



The FEM type permanent magnet magnetic elevators permit all types of parts to be handled WITHOUT any type of external power. They are completely autonomous and free from any type of power supply, thus ensuring an important safety element. Inside, the equipment has a magnetic plate of permanent magnets handled by means of a lever located in the front of the elevator. The position of the permanent magnets is changed according to the position of the outer arm to close the magnetic field through the part to be raised. The plate can be raised in three different positions according to whether pre-magnetisation, magnetisation or de-magnetisation (rest state or stable state) of the elevator is required.

In the rest or de-magnetisation state, the permanent magnets close the magnetic field inside the equipment. No outward field exists. Once the elevator is placed on the load to be transported, the plate with magnets is partially turned changing to a situation of pre-magnetisation with a force of 65%. The load is raised to a certain height (approx. 0.5m) and the plate with magnets is turned reaching a force of 100%, ensuring the load completely in transport.

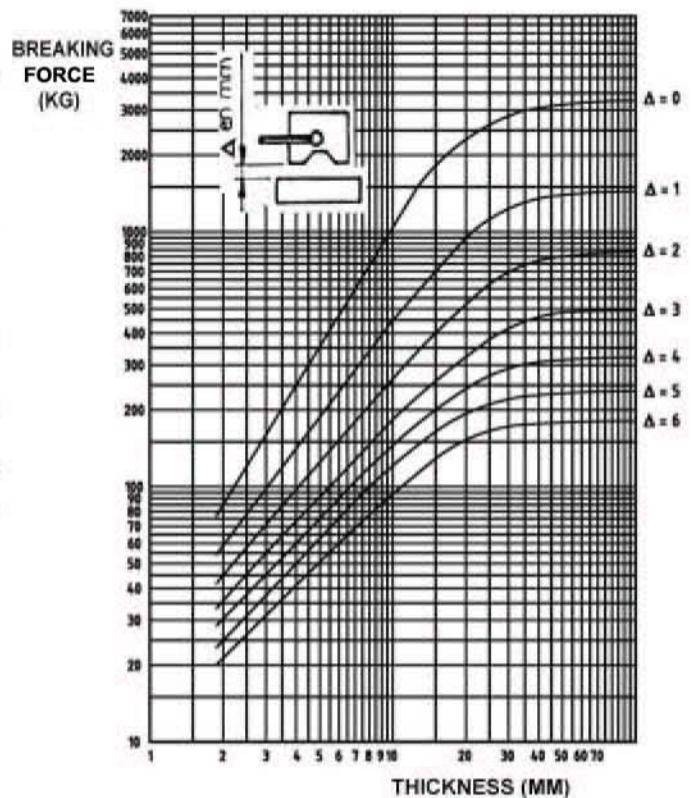
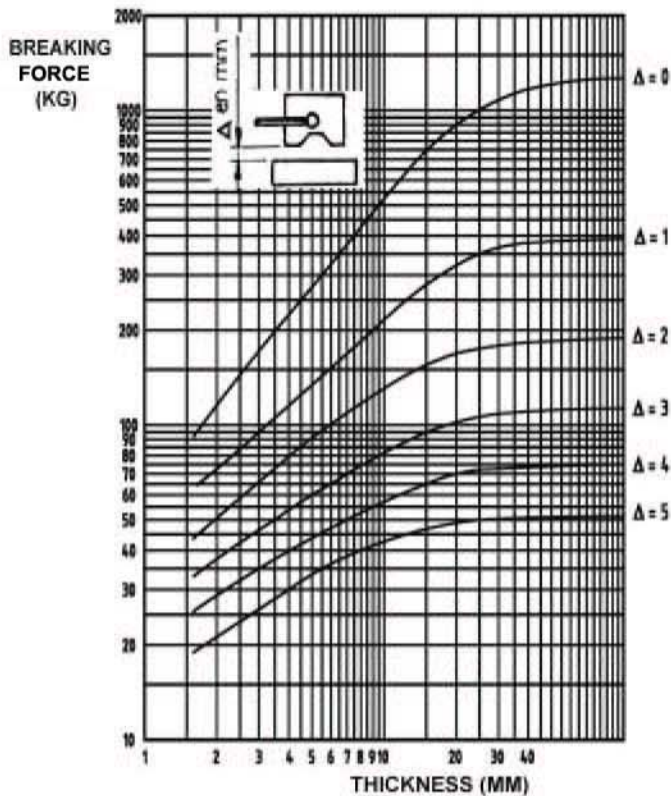


## TECHNICAL DATA FEM-I

- Maximum capacity on flat materials.....500 Kg
- Maximum capacity on round parts:  
 Diameter from 50 mm  
 Maximum length 2,5 m  
 Maximum weight 250 Kg
- Weight of lifter.....50 Kg

## TECHNICAL DATA FEM-II

- Maximum capacity on flat materials.....1000 Kg
- Maximum capacity on round parts:  
 Diameter from 60 mm  
 Maximum length 3 m  
 Maximum weight 500 Kg
- Weight of lifter.....126 Kg



The load raised by the FEM magnetic elevators depends essentially on the material to be raised and also the gap or average distance between the surface of the material and the poles existing as the result of the state of the surface of the elements to be transported (oxides, fettling, ....)

The graphs given above show variations in the rupture force in terms of this gap and thickness.

# FELEMAMG

**FACTORY :**  
**C/AGRICULTURA, 15**  
**33211 GIJON (ASTURIAS)**  
**TF: +34 985 32 44 08**  
**FAX: +34 985 32 42 26**  
**E-MAIL: felemamg@felemamg.com**

**HEAD OFFICE :**  
**C/ DEMETRIA SUAREZ, 20**  
**33400 AVILES (ASTURIAS)**  
**TF: +34 985 56 19 18**  
**FAX: +34 985 52 04 37**