

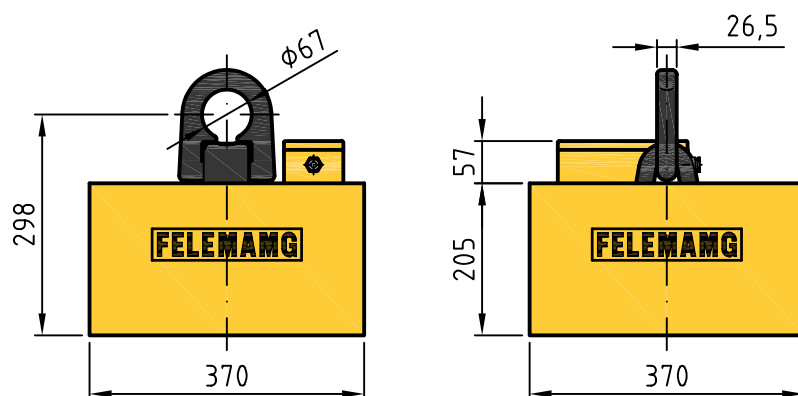
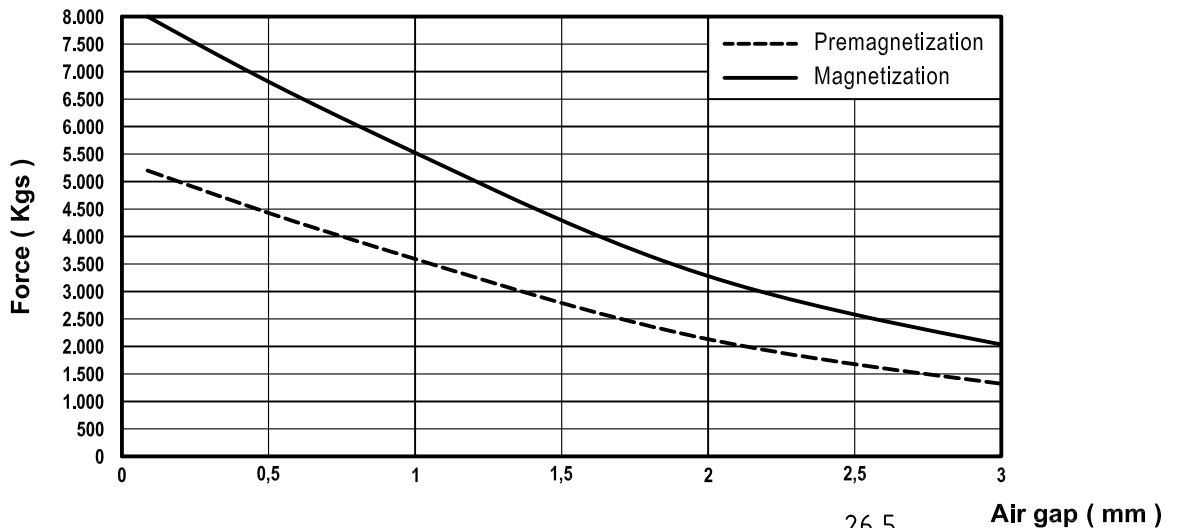
## EPC-37 ELECTRO-PERMANENT MAGNET



The EPC-37 electro-permanent magnet can handle all type of loads using exclusively the force of permanent magnets. The magnetization and demagnetization manoeuvre is performed by the action of a brief pulse of current. The load transportation is carried out without any electric power supply.

The quality of the magnets and the perfect control of the magnetization pulses ensures to maintain the original conditions without desviations or losses.

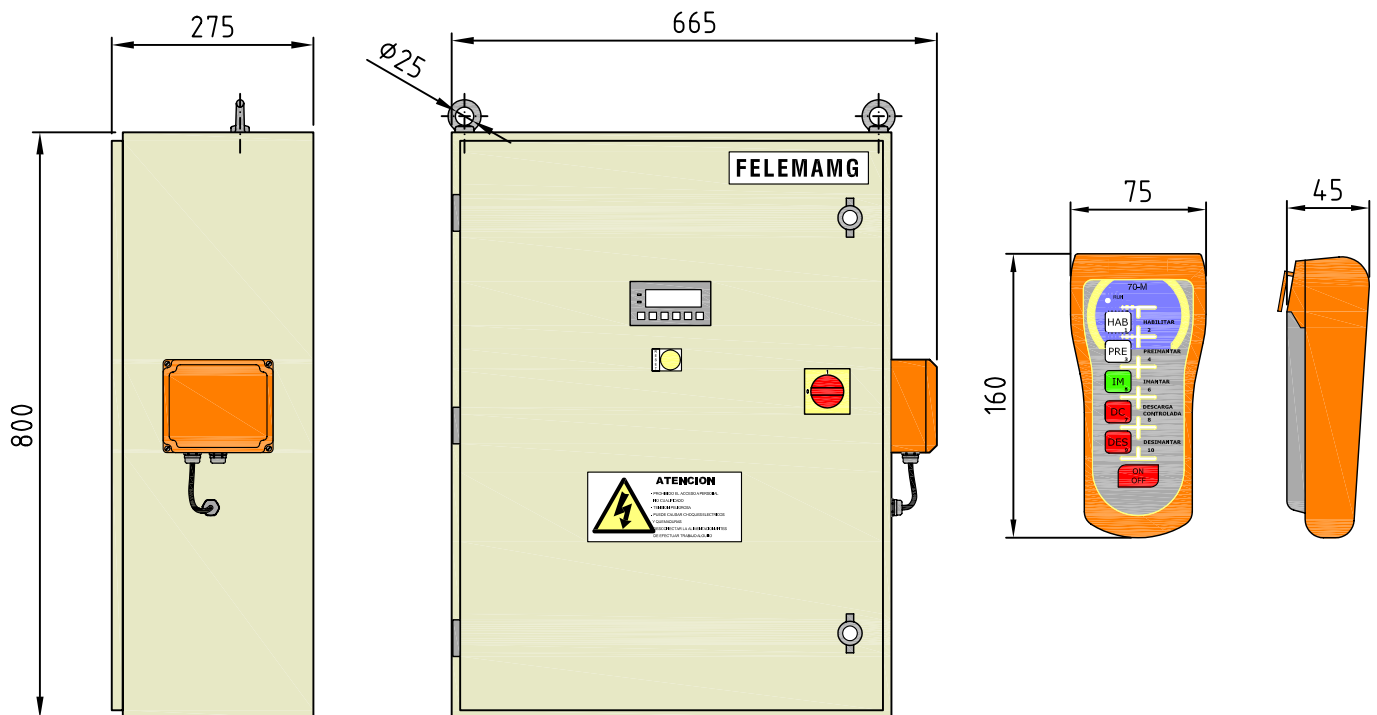
The following graph shows the force of attraction performed on a flat sheet with a thickness equal to or greater than 30 mm in terms of the gap or separation between the sheet and the magnet.



A small electronic equipment controls the EPC-37 and ensure the entire system is perfectly controlled and automatized.

It has the following systems:

- RST - The load is picked up with 65% of the lifting force of the EPC-37. Transport is carried out with 100% of the lifting force, increasing transportation safety.
- CIM - The equipment performs an auto-check on every magnetization. Failure to meet the threshold of magnetization turns on the red light wich force a verification and RESET.
- SC - It allows a controlled release of the load in case of having raised several pieces.
- Signaling system - Full lighting indication of all processes of the EPC-37 using red - yellow - green lights.
- Radio control.



FACTORY - THECNICAL & SALES DPT.  
 C/ Agricultura, 15 - Pol. Bankuni3n, 2  
 33211 GIJON (ASTURIAS) - E  
 Tel. +34 985 324 408  
 Fax +34 985 324 226  
 E-mail: felemamg@felemamg.com

# FELEMAMG

*m a g n e t i s m*

[www.felemamg.com](http://www.felemamg.com)

HEAD OFFICE  
 C/ Demetria Su3rez, 20  
 33400 AVILES (ASTURIAS) - E  
 Tel. +34 985 561 918  
 Fax +34 985 520 437  
 E-mail: administracion@felemamg.com