

The soft solution

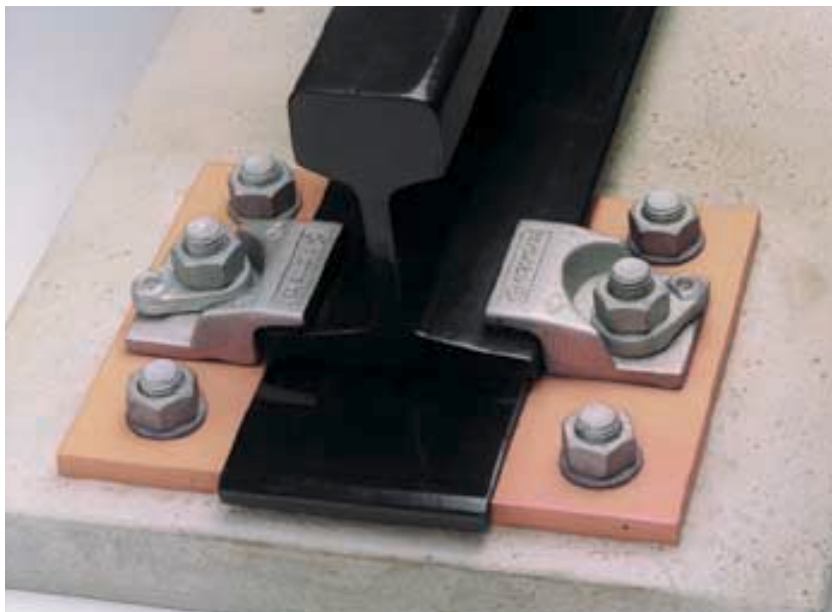
The GANTREX® pad is an essential element of the rail track, which is laid between the rail and its support. Together with GANTREX® clips, it offers all the advantages of a comprehensive soft mounting solution.



Roles and advantages of the pad

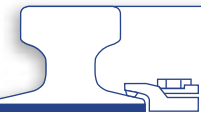
The pad laid under the rail ensures :

- loads distribution over a larger surface;
- elimination of load concentrations and the resultant fatigue stresses;
- the centering of loads on the supporting element, owing to the crowned pad;
- absorption of uneven contact surfaces between rail and support;
- reduction of noise and vibrations;
- the reduction of wear of the rail and its support.



The use of pad offers an economical advantage when dimensioning the track support, due to a better pressure distribution.

Moreover, there is a reduction in transfer of stress to the support of up to at least 25 % (DIN 4132 and CTICM recommendations).

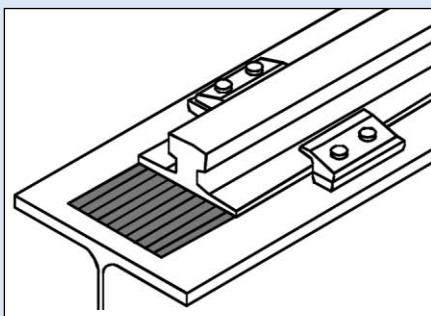


GANTREX® pads technical characteristics

- Manufactured from synthetic elastomer, resistant to wear, shear and crushing.
- Resistant to oils, greases, oxygen and ultra-violet rays.
- Size adapted to applications, being continuous or discontinuous mounting, on concrete or steel girder.

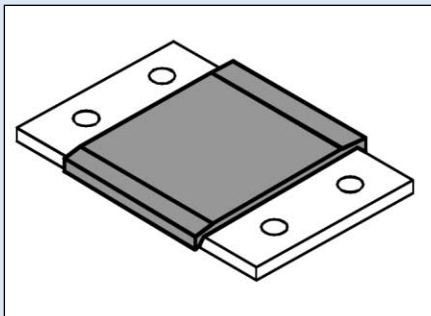
Pads range

GANTREX® pads are available in 2 models, selected according to the rail mounting type :



The GANTREX® MK6 pad is manufactured as a long grooved vulcanized synthetic elastomer strip, reinforced with a steel strip. The GANTREX® MK6 pad is available as flat (RF) or crowned (RB). The crowned pad perfectly matches the concave foot of rails manufactured to DIN 536/1.

Applications :
continuous mounted rail tracks, on concrete and steel girder.



The GANTREX® MK2 pad is manufactured out of thermoplastic elastomer. Its shape, equipped with lugs, suits each chair size and prevents its longitudinal slippage.

Applications :
discontinuous mounted rail tracks on concrete.

Severe efficiency and fatigue resistance tests have been satisfactorily carried out at the "Ruhr Universität Bochum – Lehrstuhl für Födertechnik – Bochum (Germany)". These tests are available on request.

Technical sheets available on request.

We reserve the right to discontinue or change specifications or design at any time without prior notice and without incurring any obligation whatsoever.

GANTRY MIDDLE EAST Ltd

P.O.B. 1022 - Fujairah - U.A.E. • Tel. +971(0)9 222 89 00 • Fax +971(0)9 222 89 01
E-mail : gantry@me.gantry.com - <http://www.gantry.com>

Member of the
GANTRY
Group

