



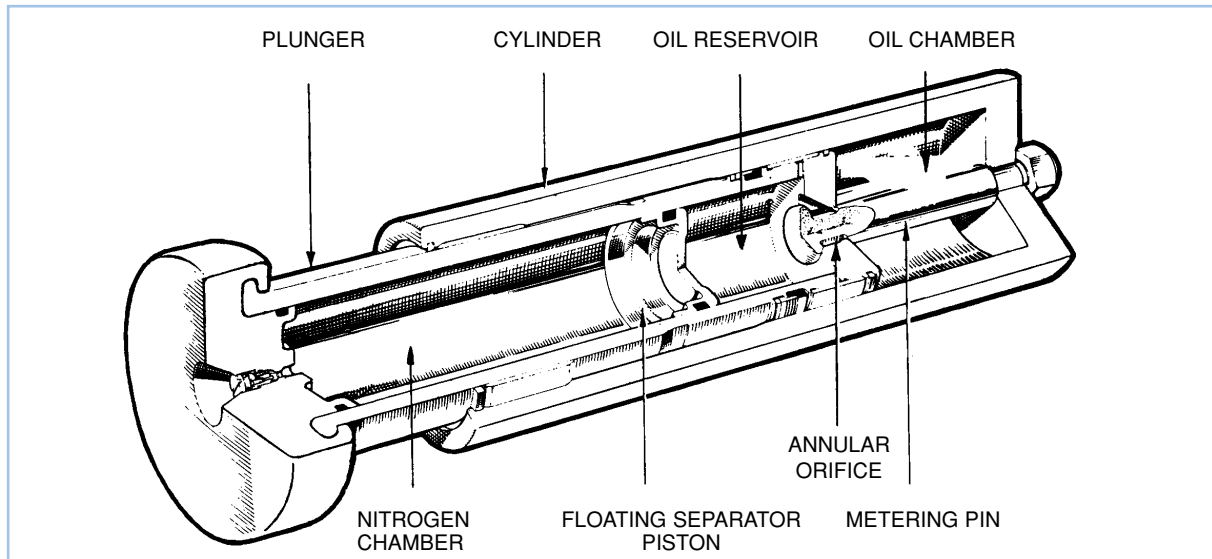
## The safety solution when impacting

**GANTRY** supplies OLEO hydraulic buffers as a safety device at the end of tracks :  
gantry cranes, funiculars, ...

Other applications involving buffers include industrial processes : ground tracks, rotating bridges, .....



## PRINCIPLE



Under impact, the plunger slides into the cylinder and generates oil displacement. The kinetic energy is then transformed into heat energy, which dissipates later in the atmosphere. An automatic device re-opens the buffer to its normal rest position.

## Characteristics

- A maximum safety environment for the personnel working nearby.
- An optimum protection for the travelling machine, as well as for the buildings' structures.
- An uniform deceleration, along with low dynamic reactions.
- A robust construction for heavy engineering environment.
- A high impact frequency capacity.

## Range

A series of buffers with energetic capacity ranging from 10 to 672 kJ, damping impacts on strokes up to 1200 mm.

TYPES	Capacities (kJ)	Strokes (mm)
21	10 to 40	50 to 200
4	91	114
50	100 to 160	250 to 400
9 & 23	224	400
70	280 to 336	500 to 600
15 & 24	448	800
110	53 to 180	200 to 1200
700	560 to 672	1000 to 1200

Specific options for maritime and / or corrosive atmospheres : sea shore, steel industry, ...

For buffer selection please consult us. Technical specifications are available on request.

*We reserve the right to discontinue or change specifications or design at any time without prior notice and without incurring any obligation whatsoever.*

## GANTRY MIDDLE EAST Ltd

P.O.B. 1022 - Fujairah - U.A.E. • Tel. +971(0)9 222 89 00 • Fax +971(0)9 222 89 01  
E-mail : [gantry@me.gantry.com](mailto:gantry@me.gantry.com) - <http://www.gantry.com>

Member of the  
**GANTRY**  
Group

