

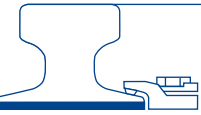
GANTREX® MK2 pads have been specially designed for the discontinuous soft mounting of rail on concrete using **GANTREX®** chairs and rail fixing clips.

GANTREX® MK2 pads :

- eliminate the load concentrations at the edge of the chairplate :
 - their chamfered edges reduce the stress concentrations;
 - pressures under the chair are reduced;
 - the concrete is protected from cracking.
- reduce rail and chair wear :
 - absorb uneven surfaces;
 - improve contact between rail and chair.
- are manufactured in thermoplastic elastomer and feature lugs to prevent longitudinal slippage.
- are specially resistant to wear, shear, crushing, oils, greases, ozone and oxygen, as well as ultra-violet rays.

Material characteristics :

- Composition : EVA copolymer.
- Shore hardness : 95°A (DIN 53505).
- Tensile strength : 12.5 N/mm² minimum (DIN 53455).
- Elongation : 250 % minimum (DIN 53455).
- Working stress in compression :
 - up to 50°C : 20 N/mm².
 - up to 70°C : 15 N/mm².
- Service temperature : from -25°C up to +75°C.
For other temperatures, please consult us.

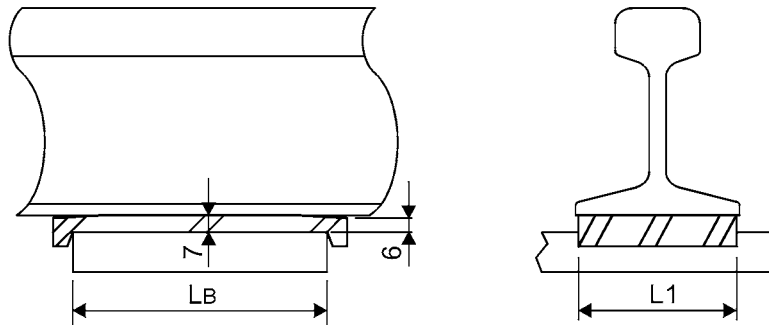


MK2

Permissible chair load :

The maximum permissible load per chair can be calculated and is a function of rail and chair dimensions and the acceptable working stress for the **GANTREX[®] MK2** pads. The design load should also consider grout and concrete strengths and fatigue.

Designation and dimensions :



GANTREX[®] pad MK2 – L_B x L₁

L_B : dimension of the chair in the rail axis. Standard lengths are : 110, 160 or 220 mm.

L₁ : reduced width, always 5 to 8 mm inferior to the rail foot width (F).

Ex. : for mounting a GX42 rail (foot width : F = 131.8 mm) on 160 mm-long chairs :
MK2 - 160B x 125.

Application for small size rails :

For small size rails, when fastened with **GANTREX[®]** clips type 21/020 or 51/015, **GANTREX[®] MK2**-type pad – thickness 4 mm, instead of 7 mm – must be used.

For further information, please refer to our data sheet covering discontinuous mounting, or contact our Technical Department.

We reserve the right to discontinue or change specifications or design at any time without prior notice and without incurring any obligation whatsoever.

GANTRY MIDDLE EAST Ltd

P.O.B. 1022 - Fujairah - U.A.E. • Tel. +971(0)9 222 89 00 • Fax +971(0)9 222 89 01
E-mail : gantry@me.gantry.com - <http://www.gantry.com>

Member of the Group
GANTRY

