

The solution on concrete

GANTRY is certified ISO 9001 and with its soft mounting system, is the ideal partner for the design, supply and installation of rail tracks laid on concrete support.

Criteria

The engineers within **GANTRY**'s Technical Department can select the optimum interface between civil engineering concrete and wheels of the crane or other travelling machinery.

Main criteria

- concrete quality;
- arrangement of any internal steel structure in the concrete;
- dimensions of the crane or travelling machinery;
- vertical and side loads of the wheels;
- speed of travel;
- wheel diameter;
- quantity of wheels;
- duty cycle and drive group;
- installation conditions;
- operating circumstances.

Specific criteria

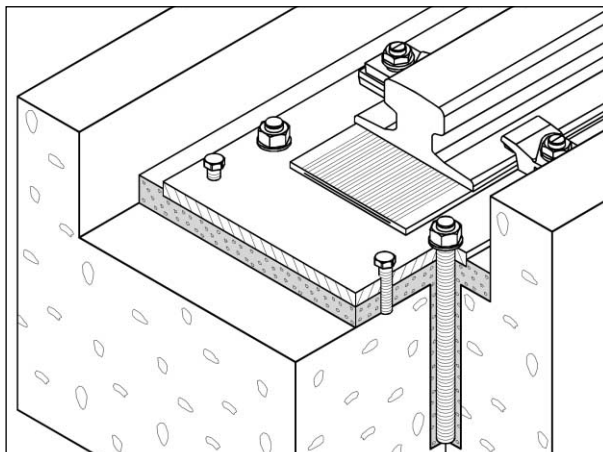
- presence of any rail brake device;
- storm brake and uplift forces;
- recessing loads;
- presence of side guiding wheels;
- ...

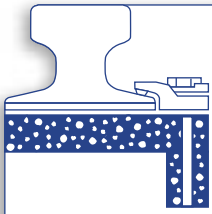
Recommendations and choice of mounting

Mounting on continuous support

Main applications :

- heavy installations;
- container terminal installations;
- multimodal platforms;
- power plants;
- cement industry;
- shipyards.





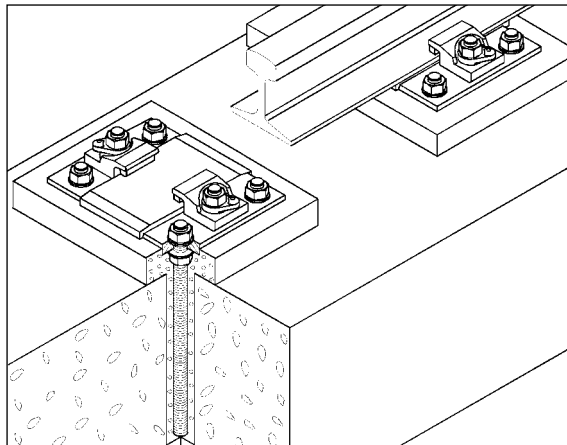
MOUNTING ON CONCRETE



Mounting on discontinuous support

Main applications :

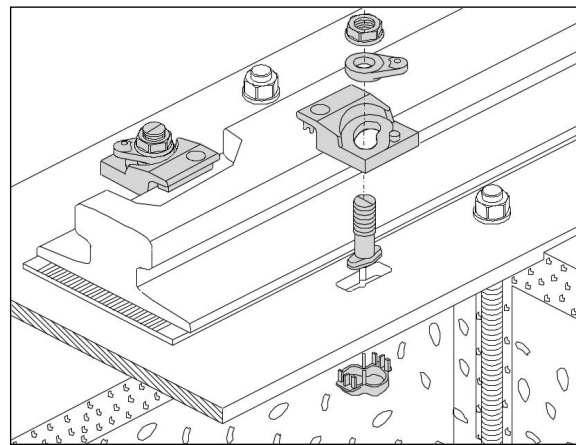
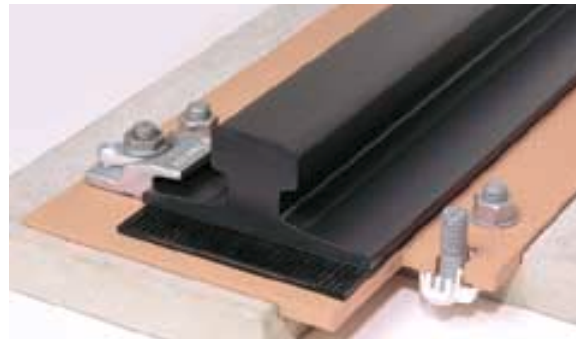
- medium weight capacity automated warehouses;
- tracks in ports with rain water drains;
- power transformer tracks.



PLATINIUM patented mounting system allowing the disassembly of boltable clips after casting of the support.

Main applications :

- all types on concrete : continuous sole plates, chairs being mounted as discontinuous or mixed;
- all tracks on the ground, raised or in a channel;
- port and multimodal tracks, shipyards, automated warehouses.



| THE PRODUCTS | THE SERVICES |
|--|---|
| <ul style="list-style-type: none"> • GANTREX® MK6 or MK2 pads, laid under the rail; • GANTREX® clips for the rail fixing; • rail; • anchoring and levelling systems; • GANTREX® chairs as rail support ; • GANTREX® continuous sole plates as rail support; • fixing and grouting products; • rail welding kits. | <ul style="list-style-type: none"> • diagnosis of the existing track; • design (new track or repair works); • complete ground track installation; • coordination with the customer's technical department; • rail welding; • training of local installation teams; • supervision of installation; • inspection and maintenance of tracks. |

We reserve the right to discontinue or change specifications or design at any time without prior notice and without incurring any obligation whatsoever.

GANTRY MIDDLE EAST Ltd

P.O.B. 1022 - Fujairah - U.A.E. • Tel. +971(0)9 222 89 00 • Fax +971(0)9 222 89 01
E-mail : gantry@me.gantry.com - <http://www.gantry.com>

Member of the
GANTRY
Group

